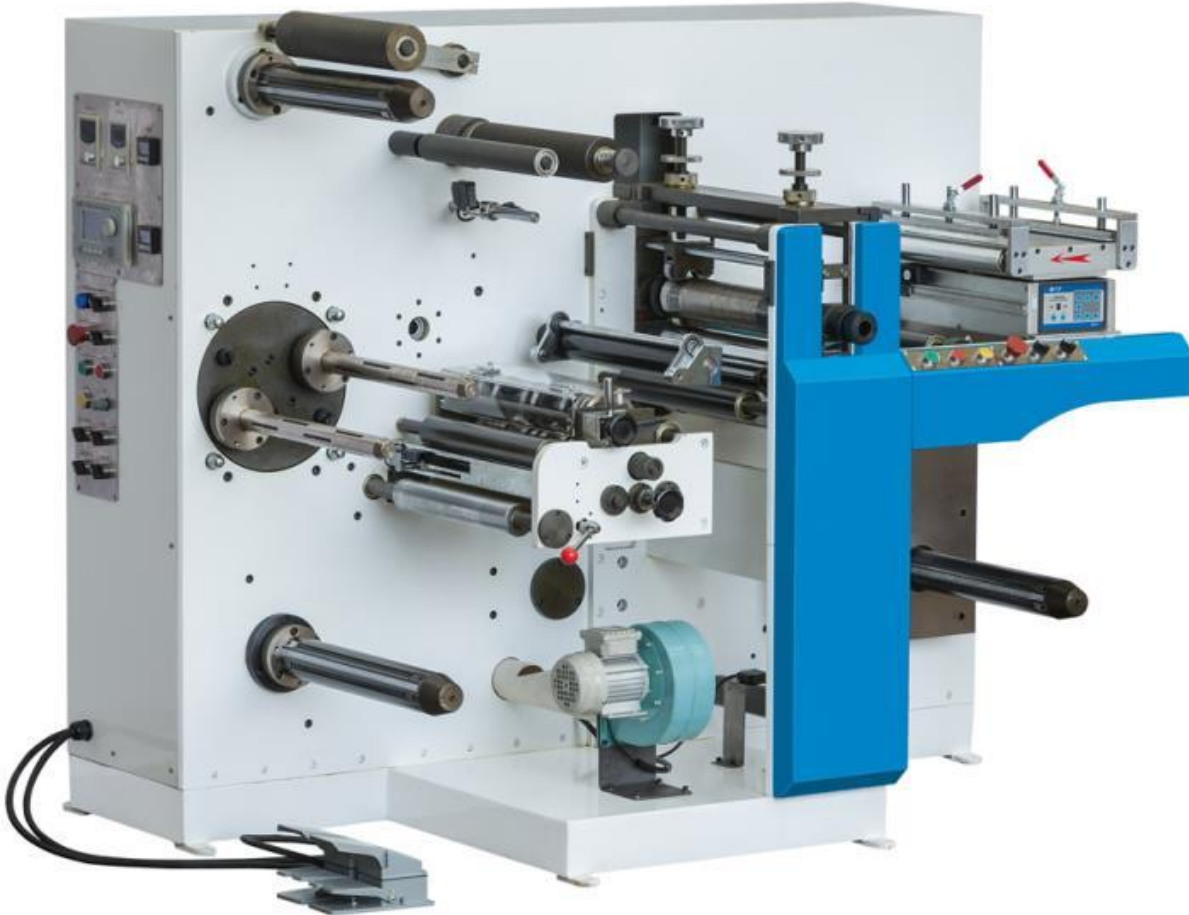
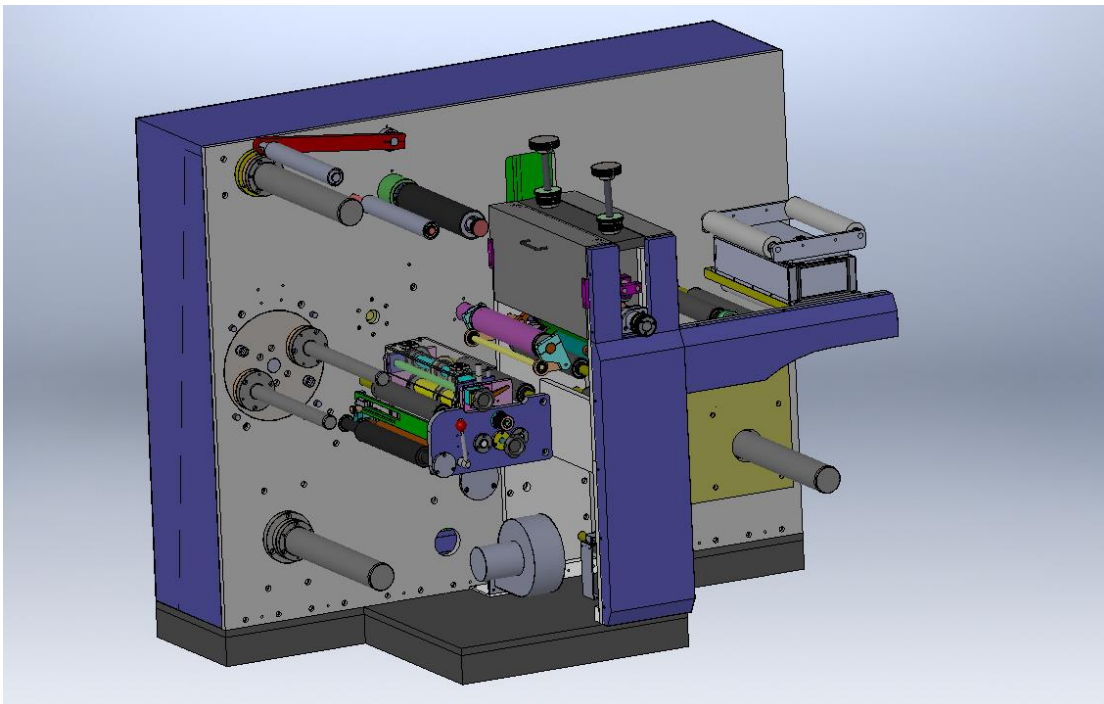
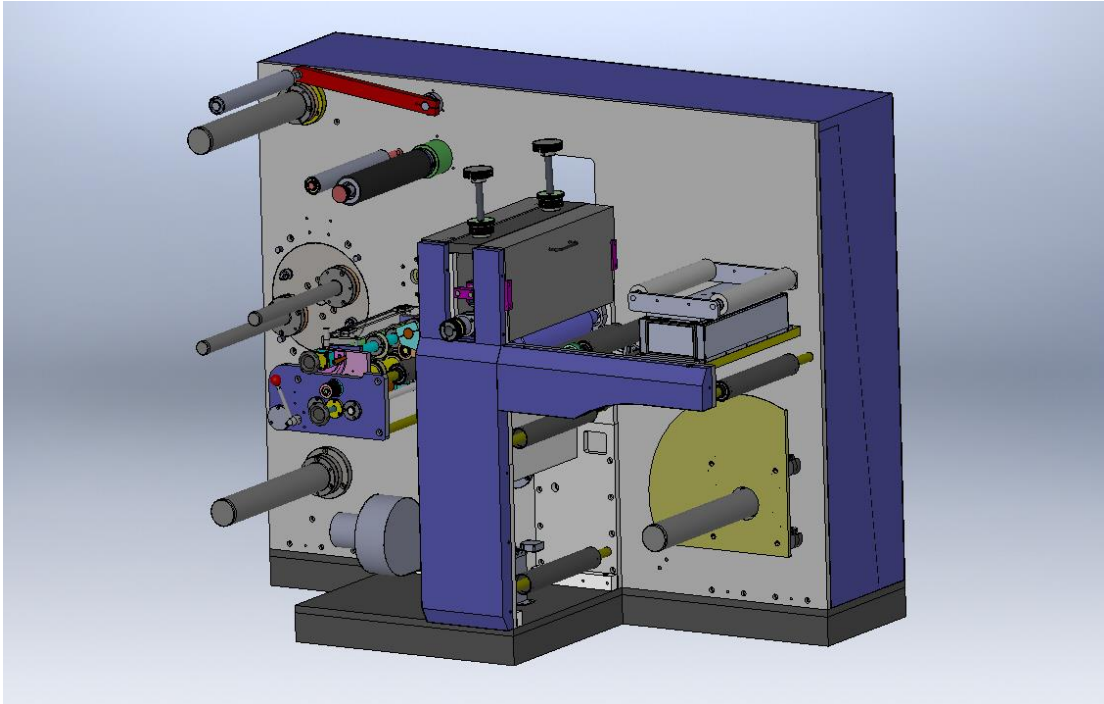


REBOBINADORA, TROQUELADORA TECNOFLEX 320 CON TURRET-ALTA VELOCIDAD





Characteristics:

1. Bound board is installed on unwinding shaft, convince to fix the material.
2. Magnetic cylinder is easily to change.
3. Upper rewinder adopts two rewinding shaft shift structure.
4. Adopt synchronous belt to drive, decrease the noise and maintain.
5. Unwinding, rewinding, waste rewinding all are controlled by magnetic powder brake/clutch.
6. Unwind tension controlled automatically. Rewinding tension adopts taper control.
7. All of air shaft is inflated automatically.
8. Machine has meter counter/label counter, length setup, stop automatically, web guiding, and fast speed.

Main technical parameters:

Material width	320mm
Slitting speed	200m/min
Die cutting speed	150m/min
Die cutting repeat	200 - 500mm
Max.diameter of unwinding roll	600mm
Max.diameter of Rewinding roll	Upper: 300mm Down: 600mm
Overall size	1900*900*1440mm
Weight	1000KG
Voltage	3 phase 380V, 50HZ

Configure:

PLC		Dingfeng, Wenzhou
Touch screen		Buke
Main motor	3KW	Lichao, shanghai
Converter	3KW	Yaskwa , Japan or Schneider
Unwinding brake	5kg	Huaguang, Rui'an
Upper rewinding clutch	2.5kg	Huaguang, Rui'an
Down rewinding clutch	5kg	Huaguang, Rui'an
Waste rewinding clutch	1.5kg	Huaguang, Rui'an
Counter	180W	LEUZU, Germany
Frame web guiding	KS-G22	Youdao, Wuhan
Fan	180W	Benli, Wenzhou
Switch button		Schneider
Low-voltage apparatus		CHINT, Wenzhou
Pneumatic rotary joint		Korea
Circular knife	8 sets	Shanghai